

以心换新 力无止境

USE OUR HEARTS TO GAIN NEW IDEA, THRER WILL BE ENDLESS OF POWER

起重特性表

RATED LIFTING CAPACITY TABLE

单位(UNIT): kg

工作幅度 WORKING RADIUS(m)	主 臂 BOOM			
	臂 长 BOOM LENGTH			
	7.4m	11.0m	14.5m	18.0m
3.0	8000	5950		
3.5	6800	5400	4100	
4.0	5700	4940	3900	
4.5	4700	4540	3700	2400
5.0	3900	4070	3500	2300
5.5	3300	3420	3200	2200
6.0	2800	2930	2900	2100
6.5		2540	2600	2000
7.0		2220	2280	1900
8.0		1750	1800	1710
9.0		1400	1460	1490
10.0			1200	1230
11.0			1000	1030
12.0			840	870
13.0			700	740
14.0				630
15.0				530
16.0				450
16.5				410

说明:

- 以上作业工况均为支腿全伸, 作业方位为后方和侧方;
- 额定总起重量含起重钩(110kg)及吊具的重量;
- 幅度指吊起重物后的实际幅度(含结构变形量);
- 表中粗线以上数值是由起重机的结构强度所决定的, 其余由起重机整机稳定性决定的;
- 当实际臂长和工作幅度在两数据之间时均选较小的数据;
- 18.0m臂长用4倍率, 其它臂长用6倍率。

Note:

- Above working condition is with outrigger fully extended and rear & side working area.
- Rated lifting capacities include the weight of hook (110kg)and clings;
- The radius is actual radius with lifting weight (includes structure deformation);
- Capacities above the thick line in the table are based on structure strength of the crane,the others, on stability of the complete machine;
- When actual boom length and working radius are between two values,should determine capacity according to smaller values;
- Fall of the 18.0m boom length is 4,the others is 6.

PUYUAN

- 全液压汽车起重机
Full Hydraulic Truck Crane
- QY8C



中联重科浦沅分公司

地址:湖南省长沙市芙蓉中路三段613号
电话:0731-5667210
传真:0731-5582657
邮编:410007

PUYUAN SUB-COMPANY OF ZOOMLION HOLDING GROUP

ADD:NO.613 THE 3TH DISTRICT FURONG MIDDLE ROAD, CHANGSHA, HUNAN
TEL:0731-5667210
FAX:0731-5582657
PC:410007

营销部

销售热线:0731-5667230 5311766
服务热线:0731-5667268 8008786119
备件服务热线:0731-5667276
传真:0731-5585850

SALES DEPARTMENT

TEL:0731-5667230 5311766
SERVICE TEL:0731-5667268 8008786119
SPARE PARTS SALE:0731-5667276
FAX:0731-5585850

浦沅进出口有限公司

总部电话:0731-5667238
传真:0731-5591796

CHANGSHA PUYUAN IMP. & EXP. CO., LTD.

HEAD OFFICE:0731-5667238
FAX:0731-5591796
E-mail:export@puyuan.com.cn

注意: 样本所截的图片和技术参数, 由于设计上改进等原因, 有可能与用户交货产品不符, 请予理解, 恕不另行通知。
NOTICE: PICTURES AND TECHNICAL DATASUBJECT TO CHANGE WITHOUT NOTICE FOR IMPROVEMENT.





QY8C

主要特点 MAIN FEATURES

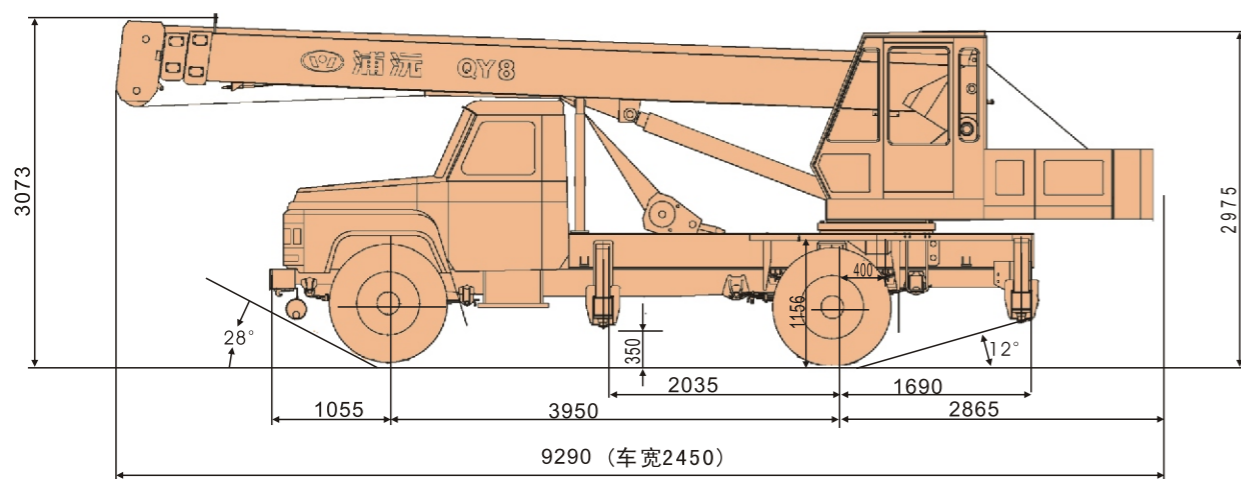
浦沅牌QY8C型汽车起重机是全回转伸缩臂式液压汽车起重机，最大额定起重量8吨，最大起升高度18米。
PUYUAN QY8B & QY8C truck crane is a full slewing truck crane with telescoping boom. It's max rated lifting capacity is 8t, and max. lifting height 18 m.

本机行驶速度快，操纵轻便灵活，工作平稳可靠。除在液压系统中设有安全装置外（如平衡阀、溢流阀、支腿液压锁）外，还有主臂仰角指示器，排绳器，高度限位器，钢丝绳过放报警装置，齐全的照明装置等，以确保操作安全可靠，便于夜间作业。

The crane has quick speed, convenient operation, stable and reliable maneuverable. Various safety valves (such as counterbalance valve, relief valve, outrigger hydraulic lock) are located in the hydraulic system. Besides, there are various safety devices, such as boom angle indicator, clamping roller, height limiter, wire rope over-lower warning device, and all the necessary safety devices which ensure safety and normal operation. The necessary light equipment make the crane work convenient in the night.

本机选用东风底盘，具有良好的通用性，便于维护保养。

The cranes adopt "Dong-Feng" chassis which makes well university and convenient maintenance.



外形尺寸图 OVERALL DIMENSIONS

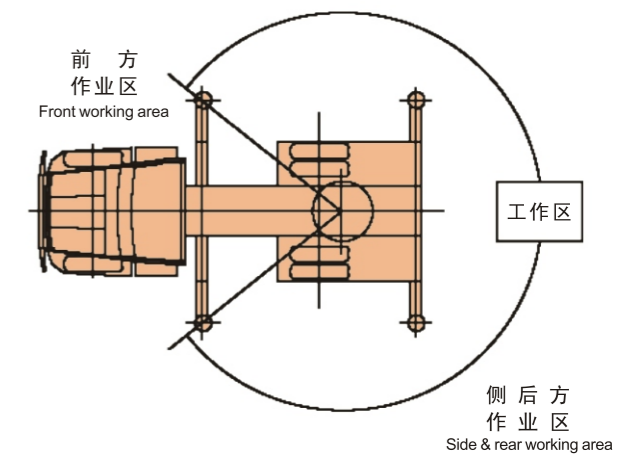
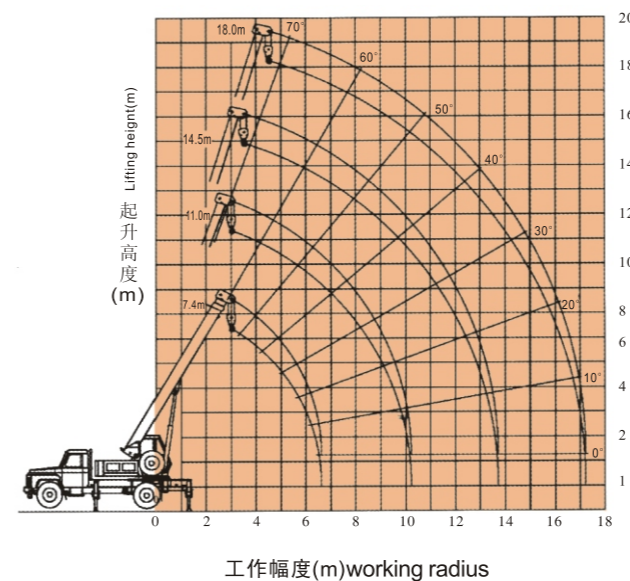
主要技术参数

Main technical specifications

项 目 (ITEM)		单位 (UNIT)	数值 (DATA)
工作性能参数 WORKING PERFORMANCE SPECIFICATIONS	最大额定总起重量 MAX RATED LIFTING CAPACITY	kg	8000
	最大起升高度 MAX. LIFTING HEIGHT	m	18.2
	起重臂长度 (3 节) LENGTH OF LIFTING BOOM (3 SECTION)	m	7.4~18.0
工作速度 WORKING SPEED	最大起升速度 MAX. LIFTING SPEED	m/min	50
	回转速度 SLEWING SPEED	rpm	0~3
行驶参数 TRAVELLING SPECIFICATIONS	最高行驶速度 MAX. TRAVELLING SPEED	Km/h	83
	最大爬坡度 MAX. GRADEABILITY	%	28
	最小转弯半径 MIN. TURNING RADIUS	m	8.2
	接近角 APPROACH ANGLE	°	28
	离去角 ANGLE OF DEPARTURE	°	12
质量参数 MASS SPECIFICATIONS	总量 GROSS WEIGHT	Kg	9500
尺寸参数 DIMENSION SPECIFICATIONS	外形尺寸 (长×宽×高) OVERALL DIMENSIONS (L×W×H)	mm	9290×2450×3073
	支腿纵向跨距 OUTRIGGER LONGITUDINAL SPAN	mm	3725
	支腿横向跨距 OUTRIGGER TRANSVERSAL SPAN	mm	3900
底 盘 CHASSIS	底盘型号 CHASSIS TYPE		EQ1092F19DJ
	发动机型号 ENGINE MODEL		YC4E140-20柴油机
	发动机功率 MAX. POWER OF ENGINE	Kw/rpm	105/2800
	发动机最大扭矩 MAX. TORQUE OF ENGINE	N.m/rpm	402/1600-1900

起升高度曲线图

LIFTING HEIGHT CURVE DIAGRAM



起重作业方位图

WORKING AREA DIAGRAM